

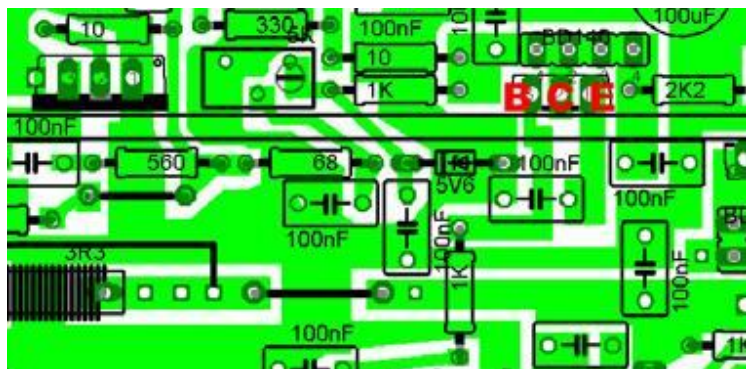
HF-6m SDR S/H Sample and Hold Transceiver AVALA-01 Corrections According to the Article from Bodo DJ9CS and Russian SDR Forum <http://www.cqham.ru/forum/showthread.php?t=6612>

Dipl. Ing . Tasić Siniša –Tasa YU1LM/QRP

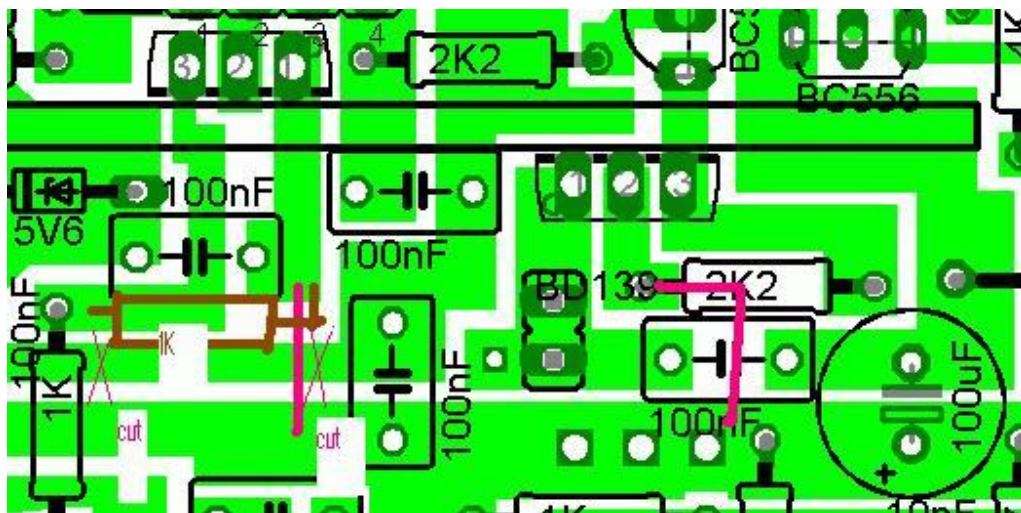
All rights reserved, project is free for personal use only

My SDR transceiver AVALA-01 is very good design proved in practice. I made thousands QSOs all over the world. In original article and design I made several errors and this design was examined by Dr Bodo DJ9CS who gave very good suggestion for improving design. With this improved design I made really very good results in big WW Contests including first place world at 40m QRP in WW Contest 2008. Please visit my WEB page devoted to my Contest activity and results.

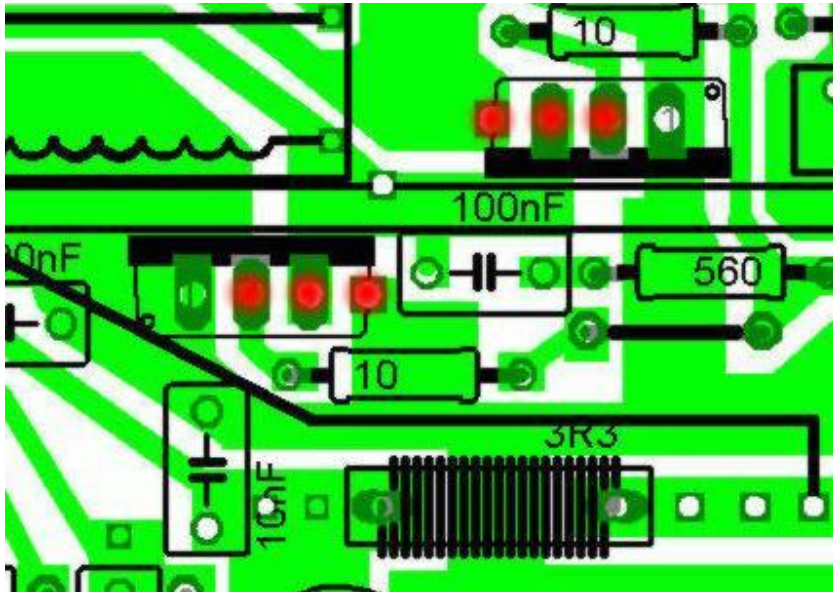
I redesigned AVALA-01 and improved version is possible obtain as KIT from www.genesisradio.com.au as G160, G80, G40 or G3020.... I decided to not publish this new improved version or any new SDR transceiver free reason is misusage my work for private business without any obligation to me. Please take care about my author rights and respect my free time I spent in writing articles about SDR and other subjects!



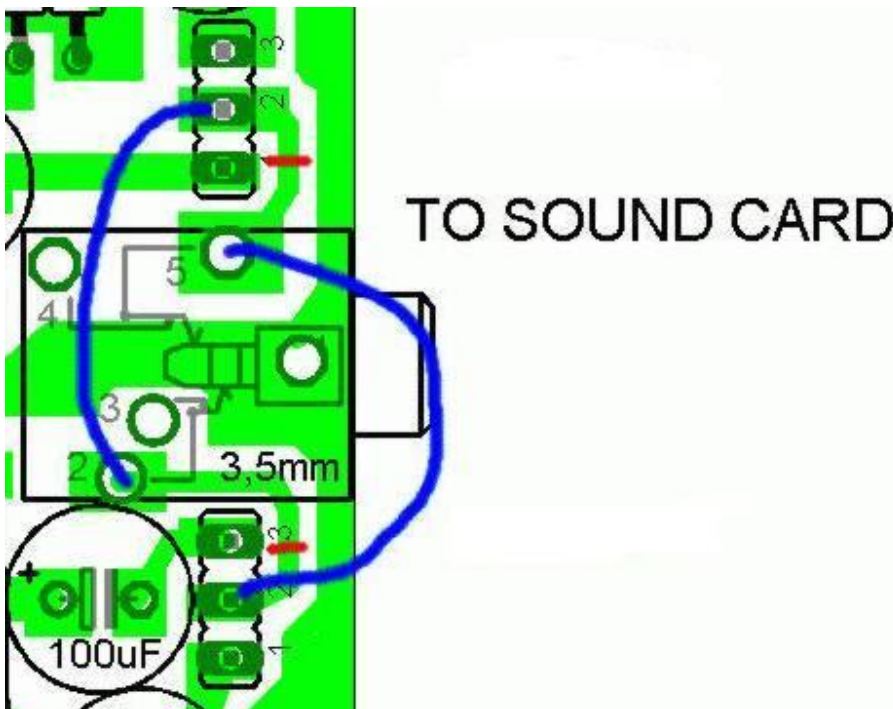
BD140 placement



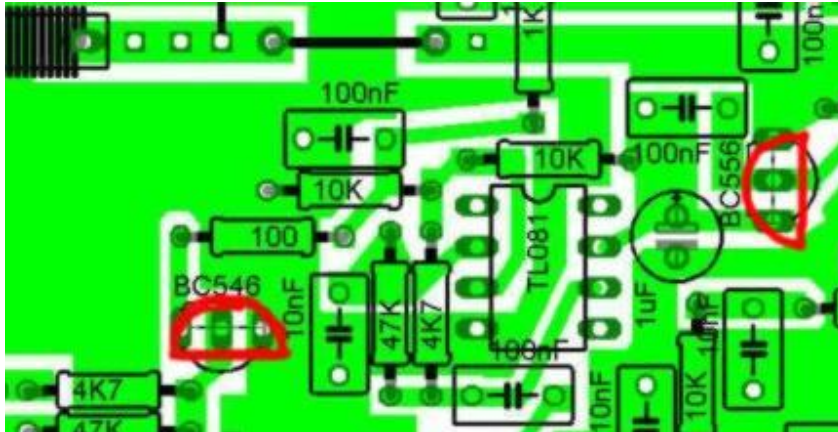
Errors in RX/TX control logic



Picture is correct position for placement output FET transistor IRF510 one or two. I am after many tested AVALA-01 samples recommending montage only one IR510!



Some SDR software are without possibility to swap input I/Q signal into the sound card. To obtain correct SB side bands and that frequency at screen is increasing from left o right (red line is place for cutting copper PCB trace) make these changes.



Correct transistor orientation in CW monitor

To obtain some additional INFO visit

<http://www.sdrforum.de/viewtopic.php?t=3&postdays=0&postorder=asc&start=30&sid=a120ff302ebfbec36284dc7188b9cc15>

VY 73 Tasa YU1LM/QRP

February 2010